



Shielded SMD Power Inductors - SRS125R SERIES

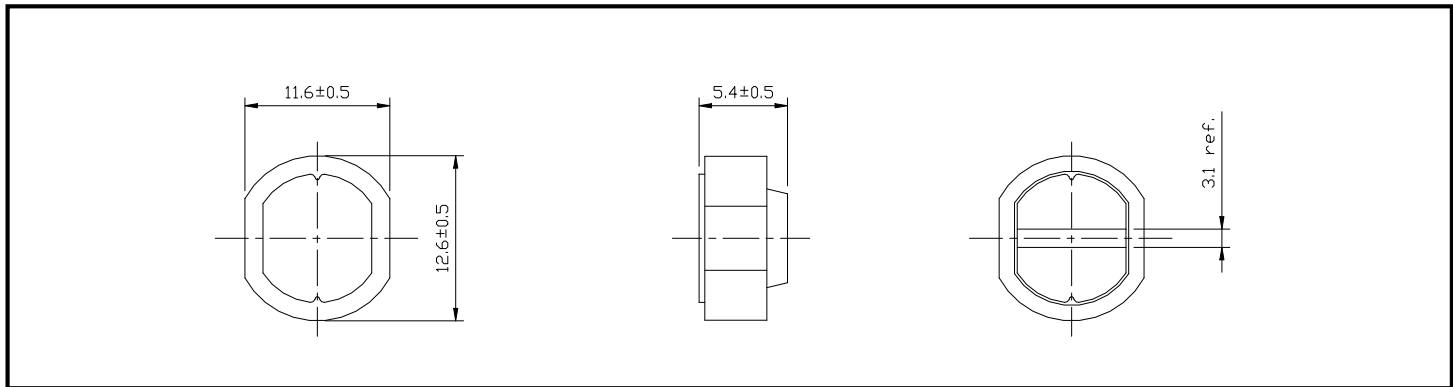


PART NUMBERING SYSTEM

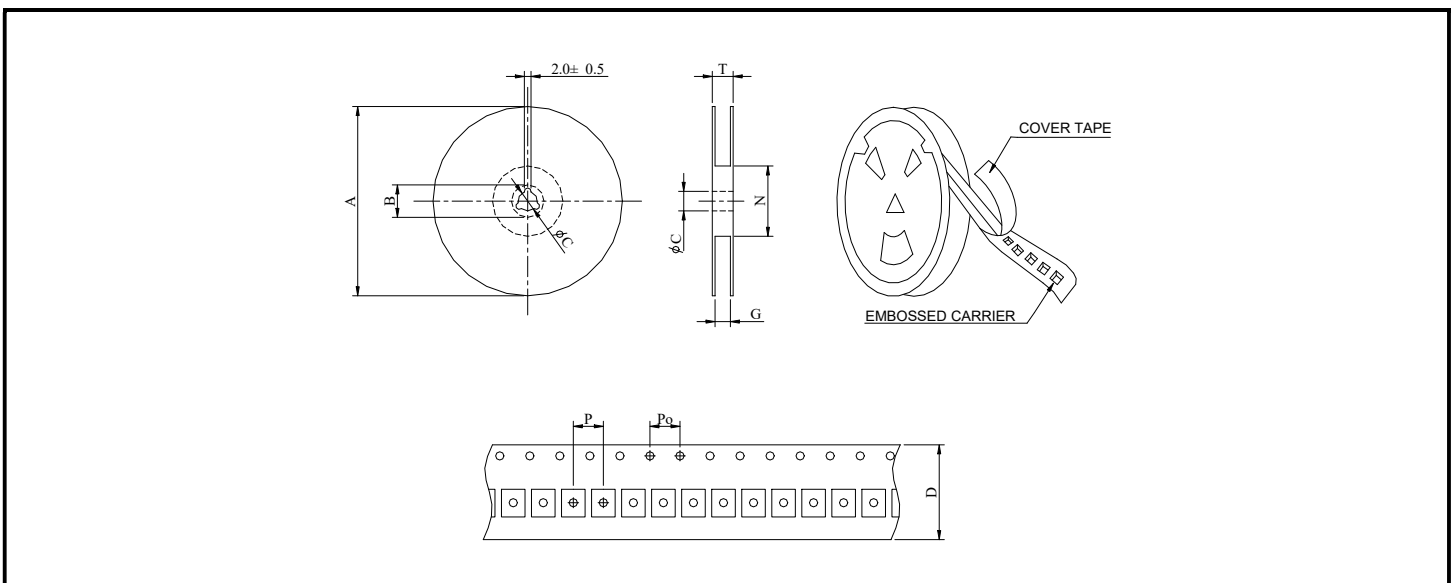
SRS	125R	—	151M	—	LF
TYPE	DIMENSIONS		INDUCTANCE		LEAD FREE

SHAPES AND DIMENSIONS

UNIT : mm



PACKAGING SPECIFICATION



SERIES	STAYLE	Q'TY (PCS)	DIMENSIONS (m/m)								
			A	B±0.8	C±0.5	D	G ⁺⁰	N ⁰	P	Po	T
SRS125R	13-24	400	330	21	13	24	26	50	12	4	30.4



Shielded SMD Power Inductors - SRS125R SERIES



SPECIFICATION TABLE

PART NUMBER	INDUCTANCE (μH)	DCR (Ω) (Max.)	IDC (A) (Max.)	TEST FREQ. (Freq.)
SRS125R-100M-LF	10±20%	0.05	2.65	2.52MHz
SRS125R-120M-LF	12±20%	0.05	2.50	2.52MHz
SRS125R-150M-LF	15±20%	0.06	2.45	2.52MHz
SRS125R-180M-LF	18±20%	0.06	2.40	2.52MHz
SRS125R-220M-LF	22±20%	0.07	2.20	2.52MHz
SRS125R-270M-LF	27±20%	0.08	2.00	2.52MHz
SRS125R-330M-LF	33±20%	0.10	1.80	2.52MHz
SRS125R-390M-LF	39±20%	0.11	1.65	2.52MHz
SRS125R-470M-LF	47±20%	0.12	1.50	2.52MHz
SRS125R-560M-LF	56±20%	0.15	1.38	2.52MHz
SRS125R-680M-LF	68±20%	0.17	1.26	2.52MHz
SRS125R-820M-LF	82±20%	0.20	1.14	2.52MHz
SRS125R-101M-LF	100±20%	0.25	1.05	1KHz
SRS125R-121M-LF	120±20%	0.28	0.95	1KHz
SRS125R-151M-LF	150±20%	0.40	0.85	1KHz
SRS125R-181M-LF	180±20%	0.48	0.77	1KHz
SRS125R-221M-LF	220±20%	0.52	0.70	1KHz
SRS125R-271M-LF	270±20%	0.70	0.63	1KHz
SRS125R-331M-LF	330±20%	0.80	0.57	1KHz
SRS125R-391M-LF	390±20%	1.08	0.52	1KHz
SRS125R-471M-LF	470±20%	1.20	0.48	1KHz
SRS125R-561M-LF	560±20%	1.34	0.44	1KHz
SRS125R-681M-LF	680±20%	1.78	0.40	1KHz
SRS125R-821M-LF	820±20%	2.00	0.36	1KHz

- DC current at which the inductance drops 25% (typ) from its value without current.
- Operating temperature range -40°C to +125°C , Electrical specifications at 25°C